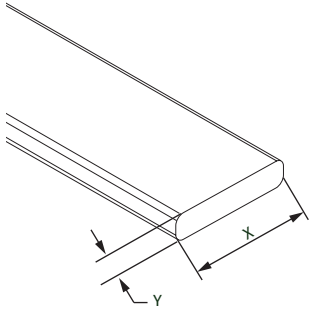


## Aluminium Tape



Kingsmill **Aluminium Tape** is sold in the specified coil lengths only.

OVERALL NOMINAL SIZE (X x Y) (mm)	CSA (mm <sup>2</sup> )	COIL SIZE (m)	WEIGHT (kg/m)	PART NO.
12.5 x 1.5	18.75	50	0.05	ATBA12515
20 x 3	60	50	0.17	ATBA2030
25 x 3	75	50	0.21	ATBA2530
30 x 3	90	50	0.25	ATBA3030
25 x 6	150	50	0.42	ATBA2560
40 x 6	240	50	0.67	ATBA4060
50 x 6	300	50	0.85	ATBA5060

**Material:** Aluminium

**Standard:** BS:EN 755-5