



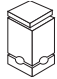
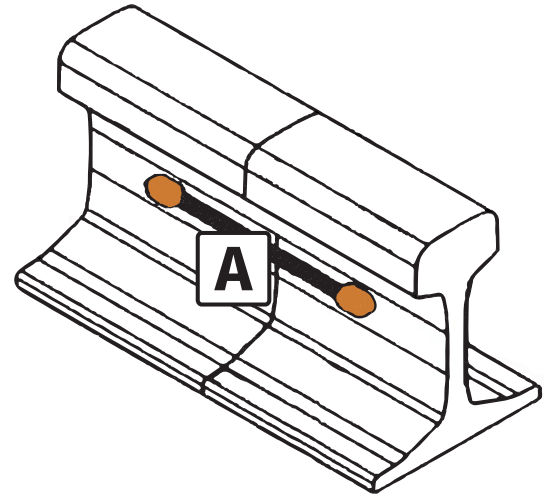


## Cable to rail web - R4

<b>A</b>					
16	HD16	F	#045	HCRW	MFR416L
16	HD16	F	#045	HCRW	MFR416R
25	HD25	F	#045	HCRW	MFR425L
25	HD25	F	#045	HCRW	MFR425R
35	HD35	F	#045	HCRW	MFR435L
35	HD35	F	#045	HCRW	MFR435R
50	HD50	F	#065	HCRW	MFR450L
50	HD50	F	#065	HCRW	MFR450R
70	HD70	F	#090	HCRW	MFR470L
70	HD70	F	#090	HCRW	MFR470R
95	HD95	F	#090	HCRW	MFR495L
95	HD95	F	#090	HCRW	MFR495R
120	HD120	F	#115	HCRW	MFR4120L
120	HD120	F	#115	HCRW	MFR4120R
150	HD150	F	#150	HCRW	MFR4150L
150	HD150	F	#150	HCRW	MFR4150R



Mould part code suffix L denotes left hand rail

Mould part code suffix R denotes right hand rail