

PART NO: KM1+2-25-3+1 SC

TYPE: Type 1+2 lightning current and surge arrester

DESCRIPTION: Heavy duty varistor and spark gap based Type 1+2 surge arresters.

Use in TT system main distribution boards on the boundary of LPZ0 and LPZ1. Suitable for houses, commercial and industrial buildings.

RATING: 25kA THREE PHASE TT / TN-S



LPL I + II

SYSTEM: THREE PHASE TT / TN-S

MDB: BOUNDARY of LPZ0 & LPZ1

SDB: BOUNDARY of LPZ1 & LPZ2 (if >100m away from MDB)

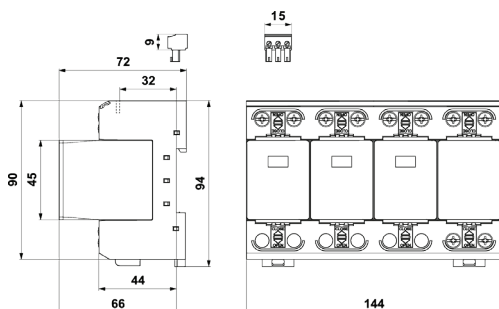
Standards

BS:EN 62305 (lightning protection) and EN 61643-11 (surge protection devices).

Electrical specification

Order number	KM1+2-25-3+1 SC	
System	Three phase TT/TN-S/4 pole	
Nominal voltage	U_n	230V AC
Nominal voltage	U_o	230V/400V AC \pm 10%
Maximum operating voltage L-N	U_c	260V AC
Maximum operating voltage N-PE	U_c	255V AC
Nominal load current for "V" connection	I_L	125A
Lightning impulse current (10/350 μ s) L-N	I_{imp}	25kA
Lightning impulse current (10/350 μ s) N-PE	I_{imp}	100kA
Nominal discharge current (8/20 μ s) L-N	I_n	30kA
Nominal discharge current (8/20 μ s) N-PE	I_n	100kA
Maximum discharge current (8/20 μ s) L-N	I_{max}	60kA
Maximum discharge current (8/20 μ s) N-PE	I_{max}	100kA
Voltage protection level L-N/N-PE	U_p	1.5kV
Voltage protection level L-PE	U_p	2.2kV
Short-circuit current rating	I_{SCCR}	50kA
Maximum overcurrent protection		250A gL/gG
Maximum overcurrent protection for "V" connection		125A gL/gG
Response time L-N/N-PE	t_a	100ns
Cross-section of connected conductors solid (min - max)		2.5mm ² - 50mm ²
Cross-section of connected conductors stranded (min - max)		2.5mm ² - 35mm ²
Fault indication L-N		Red indication field
Fault indication N-PE		no
Remote indication		Potential-free change-over contact
Remote indication contacts		250V/0.5A AC, 250V/0.1A DC
Cross-section of remote indication conductors		1.5mm ²
Degree of protection		IP20
Range of operating temperatures (min - max)		-40°C - +80°C
Mounting		DIN rail 35mm
According to standard		EN 61643-11:2012, IEC 61643-11:2011 / T1, T2
Weight		1295g (nett), 1355g (gross)

Dimensions:



Wiring diagram:

