

PART NO: KM3-275-A

TYPE: Type 3 surge protection module

DESCRIPTION: Compact type 3 surge arrester for final circuit protection. Install close to low voltage equipment for additional protection. Use with single phase power supply systems. Provides audible fault indication.

RATING: 2kA SINGLE PHASE TN-C / TN-S / TN-C-S / TT



LPL I + II and LPL III + IV

SYSTEM: SINGLE PHASE TN-C, TN-S, TN-C-S AND TT

LOCATION: BOUNDARY of LPZ2 & LPZ3 (if the electronic equipment is >5m away from SDB)

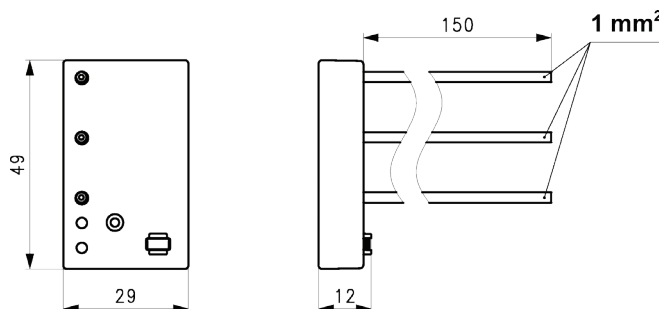
Standards

BS:EN 62305 (lightning protection) and EN 61643-11 (surge protection devices).

Electrical specification

Order number	KM3-275-A	
System	TN-C / TN-S / TN-C-S / TT	
Nominal voltage	U_n	230V AC
Maximum operating voltage	U_c	275V AC
Nominal discharge current (8/20 μ s) L-N/N-PE	I_n	2kA
Test voltage L-N/N-PE/L-PE	U_{oc}	4kV
Voltage protection level L-N/N-PE/L-PE	U_p	1.5kV
Short-circuit current rating	I_{sCCR}	1.5kA
Maximum overcurrent protection		B 16A
Response time L-N	t_a	25ns
Response time N-PE	t_a	100ns
Fault indication		acoustic signalling
Degree of protection		IP20
Range of operating temperatures (min - max)		-20°C - +70°C
Mounting		installation box
According to standard		EN 61643-11:2012, IEC 61643-11:2011 / T3
Weight		20g (nett), 40g (gross)

Dimensions:



Wiring diagram:

