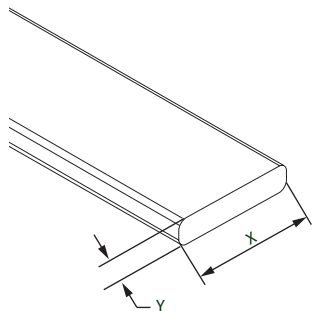


Galvanised Steel Tape



Kingsmill **Galvanised Steel Tape** is suitable for BS:EN 62305 internal foundation earthing rings.

CONDUCTOR SIZE (X x Y) (mm)	CSA (mm ²)	COIL SIZE (m)	WEIGHT (kg/m)	PART NO.
30 x 3.5	105	30	0.84	GST3035

Material: Galvanised Steel

Standard: BS:EN 62561-2