

PART NO: KM-FLP-PV550 V/U S

TYPE: Type 1+2 surge arrester - 'U' connection

DESCRIPTION: Surge arresters for use in photovoltaic systems with 'U' connection. Protects both poles.
Use on photovoltaic systems up to 560 volts.

RATING: 1120V DC maximum operating voltage

Standards

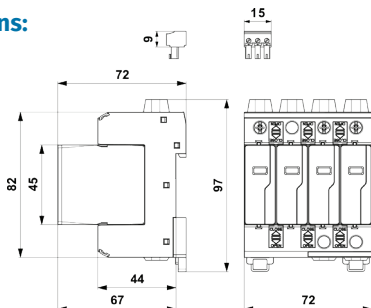
EN 50539-11:2013



Electrical specification

Order number	KM-FLP-PV550 V/U S	
Type of SPD	PVT1, PVT2	
Maximum operating voltage mode 1/2 l-connection	U_{CPV}	1120V DC
Maximum operating voltage mode 1/3, 2/3	U_{CPV}	560V DC
Lightning impulse current (10/350 μ s)	I_{imp}	12.5kA
Total discharge current (10/350 μ s)	$I_{Total(10/350\mu)}$	25kA
Nominal discharge current (8/20 μ s)	I_n	30kA
Maximum discharge current (8/20 μ s)	I_{max}	60kA
Voltage protection level mode 1/2	U_p	4.8kV
Voltage protection level mode 1/3, 2/3	U_p	2.4kV
Short-circuit current rating	I_{SCPV}	1000A DC
Response time	t_a	25ns
Cross-section of connected conductors solid (min - max)	1mm ² - 35mm ²	
Cross-section of connected conductors stranded (min - max)	1mm ² - 25mm ²	
Fault indication	Red indication field	
Remote indication	Potential-free changeover contact	
Remote indication contacts	250V/0.5A AC, 250V/0.1A DC	
Cross-section of remote indication conductors	1.5mm ²	
Degree of protection	IP20	
Range of operating temperatures (min - max)	-40°C - +80°C	
Mounting	DIN rail 35mm	
According to standard	EN 50539-11:2013	
ETIM Class	EC001457	
Weight	250g (nett), 280g (gross)	

Dimensions:



Wiring diagram:

