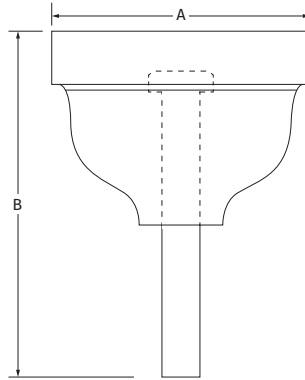


Static Earth Receptacles

Kingsmill **Static Earth Receptacles** provide a convenient point for attaching portable static discharge wires and clamps to the earth termination, thus safely discharging potentially lethal static voltages.

WIDTH (A) (mm)	HEIGHT (B) (mm)	WEIGHT (kg)	PART NO.
68	90	0.58	SER68
130	160	4.25	SER130

Material: Gunmetal
Standard: BS 7430



SER68



SER130